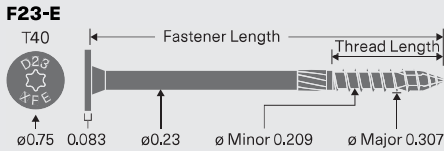


Multi-Ply Engineered Wood Connections

Structural F23-E

Starborn® Structural F23-E Multi-Ply Engineered Wood screws are designed for single-sided joining of multi-ply engineered wood beams in interior applications. For use in LVL, LSL, and PSL.



INSTALLATION INSTRUCTIONS

- Select the proper length screw according to Table 2, ensuring a minimum 1" penetration into the main member (final member in the multi-ply assembly).
- Install using a high-torque low-speed drill with a Torx® T40 driver bit. For best results, use a ½" corded drill. Pre-drilling is not required, but can be used where lumber is prone to splitting.
- Drive until the washer is drawn firm and flush. Do not overdrive or countersink.
- **Caution:** Do not connect warped or curved wood members. Forcing alignment with clamps, screws or bolts may decrease the carrying load of the beam or split the wood.

FINISH AND COATING

Structural F23-E screws have a gray e-coat finish and are designed for interior use only.

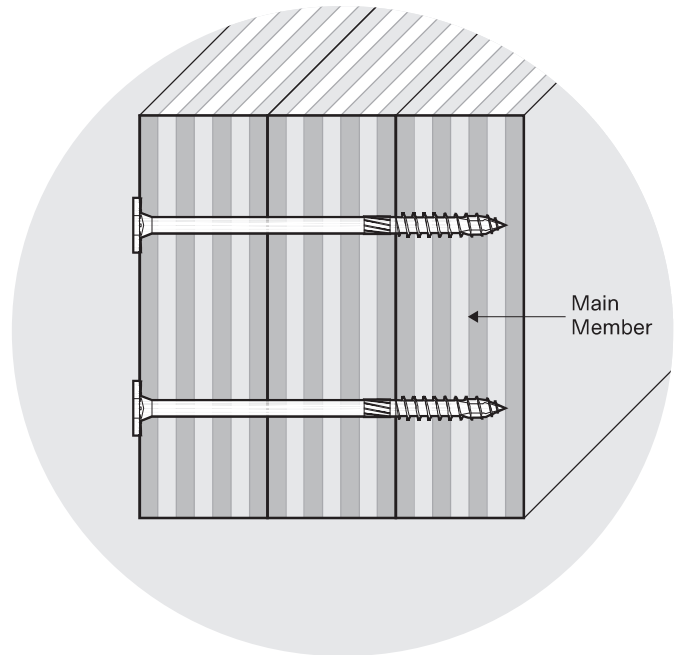


Figure 1

TABLE 1: Screw Properties

PRODUCT NAME	HEAD MARKING	UNTHREADED SHANK DIAMETER (IN)	HEAD TYPE	SCREW LENGTH (IN)	THREAD LENGTH (IN)
Structural F23-E	D23 3.4 XFE	0.23	Flat T40	3-3/8	1-1/2
	D23 5 XFE			5	
	D23 6.8 XFE			6-3/4	

For the most up to date version of this Technical Guide and more detailed information contained in the Multi-Ply Applications code compliance report (DrJ TER 1703-03), visit starbornindustries.com. For applications outside the scope of this Technical Guide, an engineered design is required.

Multi-Ply Engineered Wood Connections—Structural F23-E

Figure 2—Minimum Spacing Requirements

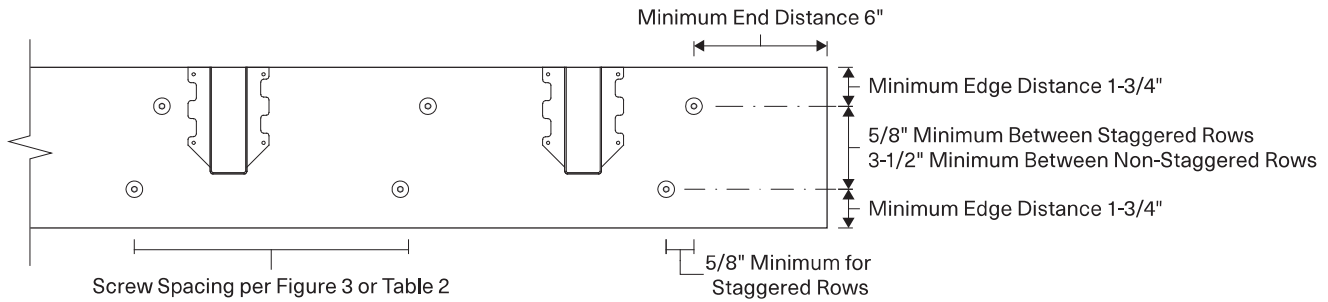


Figure 3—Top Loaded Beams

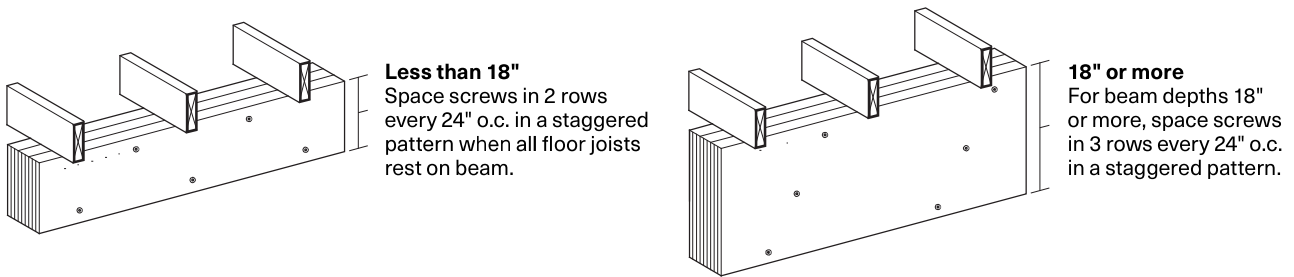


Figure 4—Engineered Wood Assemblies

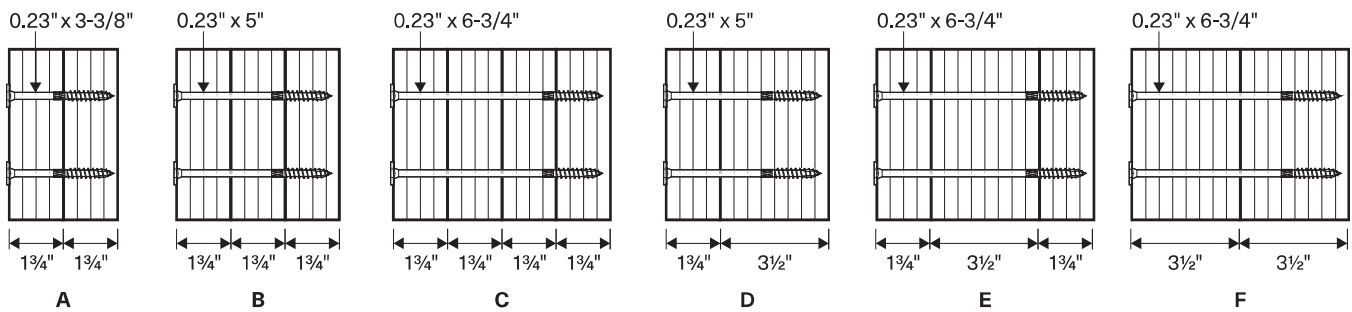


TABLE 2: Allowable Side Load Capacity (plf)

ASSEMBLY	COMPONENTS	SCREW LENGTH (IN)	12" O.C.		16" O.C.		24" O.C.	
			2 ROWS	3 ROWS	2 ROWS	3 ROWS	2 ROWS	3 ROWS
A	2-ply 1-3/4"	3-3/8	1660	2490	1250	1875	830	1245
B	3-ply 1-3/4"	5	1495	2245	1125	1690	750	1125
C	4-ply 1-3/4"	6-3/4	1680	2520	1265	1900	840	1260
D	2-ply 1-3/4" & 3-1/2"	5	1495	2245	1125	1690	750	1125
E	3-ply 1-3/4" & 3-1/2"	6-3/4	1660	2490	1250	1875	830	1245
F	2-ply 3-1/2"	6-3/4	1660	2490	1250	1875	830	1245

1. May be loaded from either the head or point side.
2. Engineered Wood Product (EWP) minimum specific gravity of 0.50 or greater.
3. Design values include a duration load (CD) = 1.0. Values may be multiplied by all applicable adjustment factors per NDS.

plf = pounds per linear foot
o.c. = on-center

LVL = Laminated Veneer Lumber
LSL = Laminated Strand Lumber

PSL = Parallel Strand Lumber